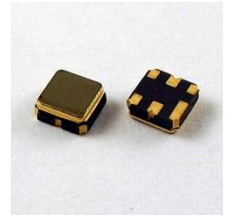


- Low-loss RF SAW filter for mobile systems
- Low amplitude ripple
- No matching network required for operation at 50Ω
- Ceramic package for Surface Mounted Technology (SMT)
- Lead-free production and RoHS compliant

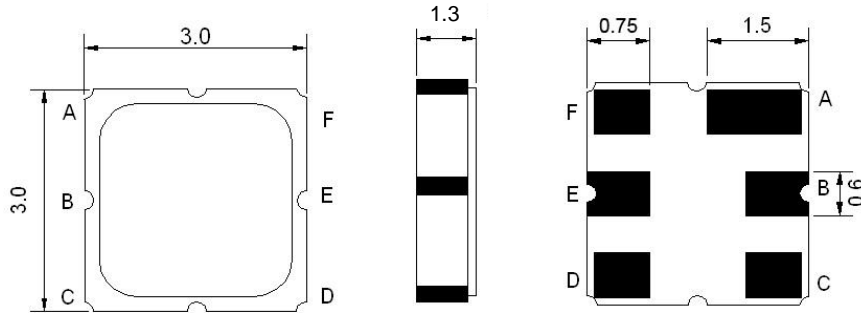


Electrical Characteristics

MAXIMUM RATING				
PARAMETERS DESCRIPTION	UNIT	MINIMUM	TYPICAL	MAXIMUM
Operating Temperature Range	°C	-40	-	+85
Storage Temperature Range	°C	-40	-	+85
Maximum DC Voltage	V _{DC}	-	-	12
Maximum Input Power Level	dBm	-	-	10
Source Impedance	Ω	-	50	-
Load Impedance	Ω	-	50	-
Length x Width	mm ²	-	3.0 x 3.0	-
Height	mm	-	-	1.3

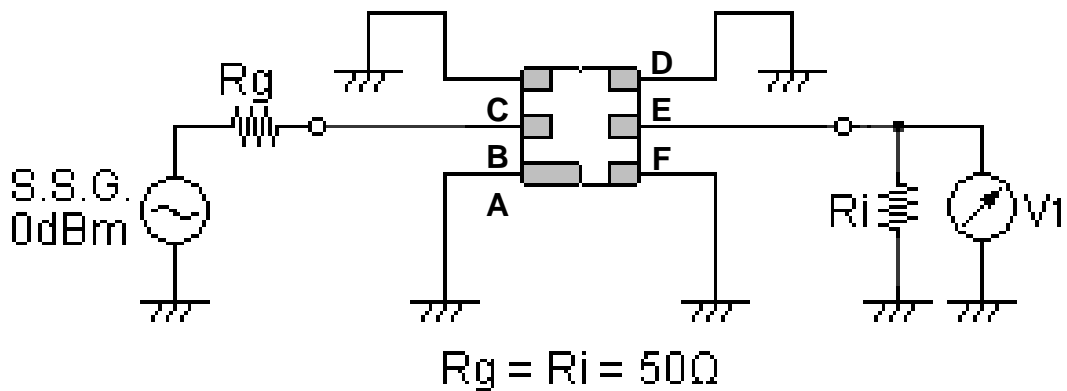
ELECTRICAL SPECIFICATION				
PARAMETERS DESCRIPTION	UNIT	MINIMUM	TYPICAL	MAXIMUM
Center Frequency (F _o)	MHz	-	2655	-
Insertion Loss @ 2620.00 ~ 2690.00MHz	dB		2.3	3.6
Amplitude Ripple @ 2620.00 ~ 2690.00MHz	dB		0.8	2.0
Group Delay Ripple @ 2620.00 ~ 2690.00MHz	nS		10	30
Absolute Attenuation: (Referenced to 0 dB)				
DC~ 2100.00 MHz	dB	25	30	
2100.00 ~ 2515.00 MHz	dB	27	34	
2770.00 ~ 4000.00 MHz	dB	30	37	
4000.00 ~ 5000.00 MHz	dB	15	22	
Input / Output VSWR @ 2620.00 ~ 2690.00MHz			1.9:1	2.5:1

Package Dimensions



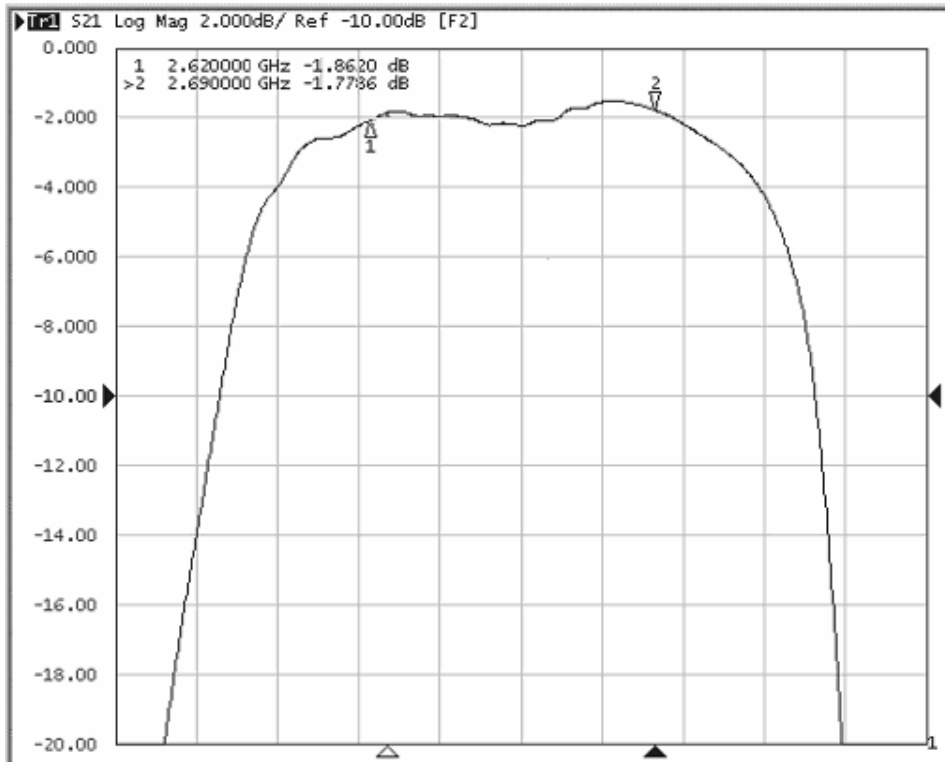
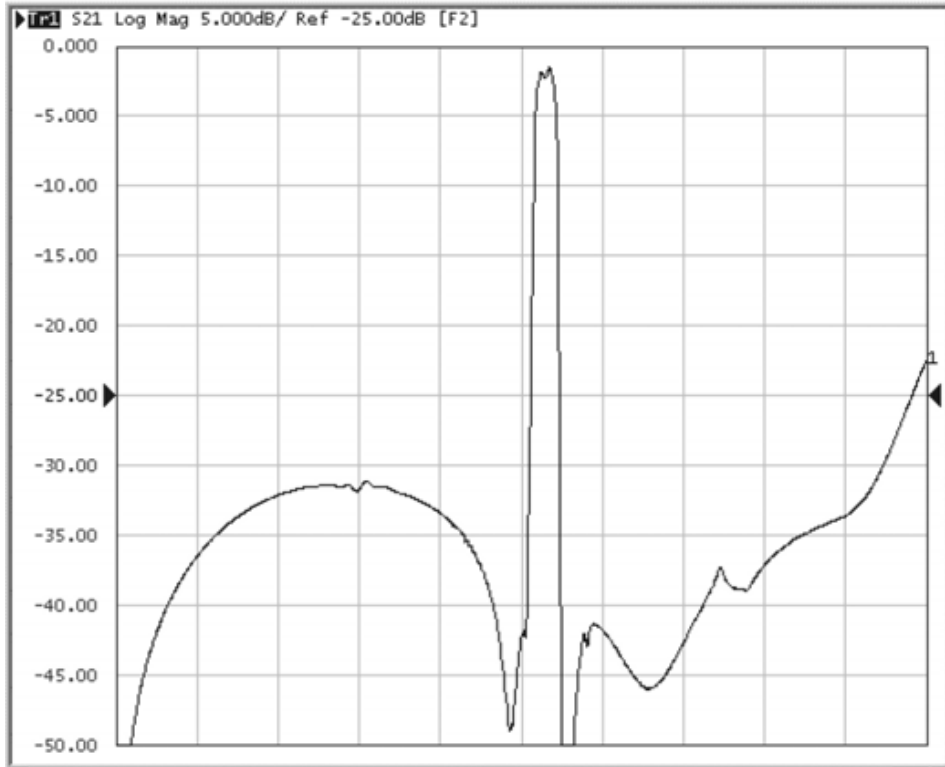
Pin Description	
B	Input
E	Output
A, C, D, F	Ground

Testing Environment



Frequency Characteristics

Frequency Response



Frequency Response

Input / Output VSWR

